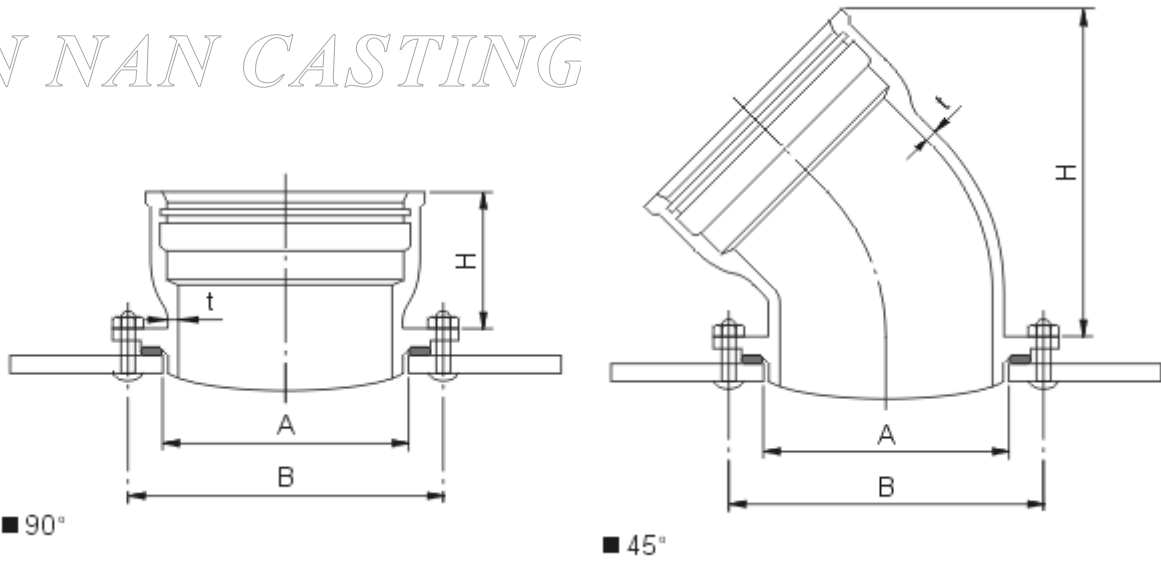




Socket Connection Branch



Unit : mm

90°							45°						
DN		Thickness	Dimensions			Weight	DN		Thickness	Dimensions			Weight
D	d	t	A	B	H	(kg)	D	d	t	A	B	H	(kg)
200	150	7.8	171	247	200	21.0	200	150	7.8	171	247	315	21.9
250	150	7.8	171	247	200	20.8	250	150	7.8	171	247	315	21.7
300	150	7.8	171	247	200	20.6	300	150	7.8	171	247	315	21.5
	200	8.4	223	299	215	29.6							
350	150	7.8	171	247	200	20.5	350	150	7.8	171	247	315	21.4
	200	8.4	223	299	215	29.4							
400	150	7.8	171	247	200	20.5	400	150	7.8	171	247	315	21.4
	200	8.4	223	299	215	29.2							
450	150	7.8	171	247	200	20.4	450	150	7.8	171	247	315	21.3
500	150	7.8	171	247	200	20.4	500	150	7.8	171	247	315	21.3
600	150	7.8	171	247	200	20.3	600	150	7.8	171	247	315	21.3
700	150	7.8	171	247	200	20.3	700	150	7.8	171	247	315	21.2
800	150	7.8	171	247	200	20.3	800	150	7.8	171	247	315	21.2
900	150	7.8	171	247	200	20.3	900	150	7.8	171	247	315	21.2
1000	150	7.8	171	247	200	20.3	1000	150	7.8	171	247	315	21.3
1100	150	7.8	171	247	200	20.4	1100	150	7.8	171	247	315	21.3
1200	200	8.4	223	299	215	28.7	1200	200	8.4	223	299	365	30.5
1350	200	8.4	223	299	215	28.7	1350	200	8.4	223	299	365	30.5
1500	200	8.4	223	299	215	28.8	1500	200	8.4	223	299	365	30.5
1600	200	8.4	223	299	215	28.8	1600	200	8.4	223	299	365	30.6
1650	200	8.4	223	299	215	28.8	1650	200	8.4	223	299	365	30.6
1800	250	9.0	275	360	235	39.4	1800	250	9.0	275	360	420	42.8
2000	250	9.0	275	360	235	39.5	2000	250	9.0	275	360	420	42.9